

# MAXIM

## Quad SPDT CMOS Analog Switch

MAX333

### General Description

The MAX333 is a quad single-pole-double-throw (SPDT) analog switch. These four independent switches can be operated with bipolar power supplies ranging from  $\pm 5V$  to  $\pm 18V$ , or single-ended power supplies of  $+10V$  to  $+30V$ .

The MAX333 has break-before-make switching, (200ns typical), a maximum turn-off time of 500ns, and a maximum turn-on time of 1000ns.

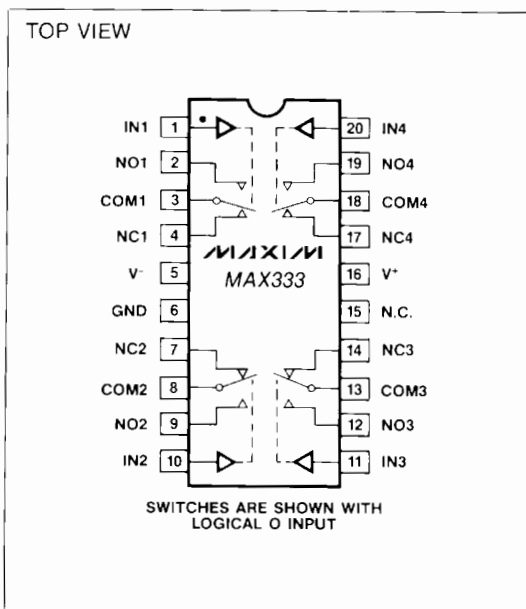
The MAX333 is ideal for portable operation since quiescent current is only  $250\mu A$  maximum with all inputs high, and less with all inputs low.

Logic inputs are fully TTL and CMOS compatible and guaranteed over a  $+0.8V$  to  $+2.4V$  range, regardless of supply voltage. Logic inputs and switched analog signals can range anywhere between the supply voltages without damage. The MAX333 is a low-cost replacement for a DG211/DG212 pair when used as a quad SPDT switch.

### Applications

- Winchester Disk Drives
- Test Equipment
- Communications Systems
- PBX, PABX
- Head up Displays
- Portable Instruments

### Pin Configuration



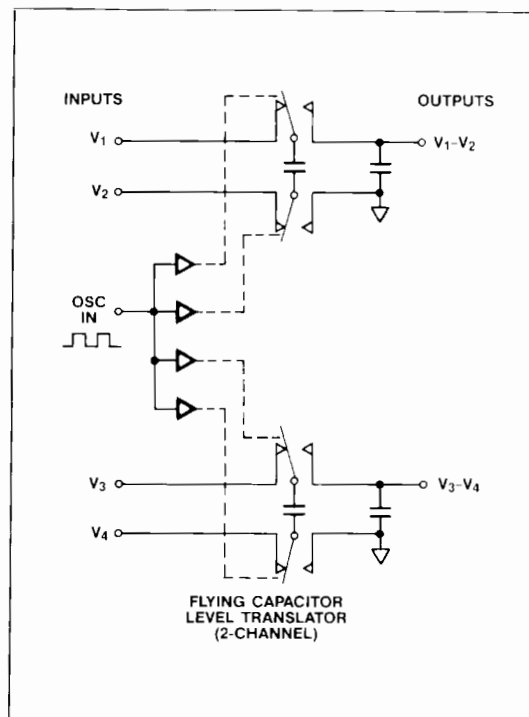
### Features

- ◆ Low Cost Per Channel
- ◆ Four Independent SPDT Switches
- ◆ Break-Before-Make Switching
- ◆ Guaranteed  $\pm 5V$  to  $\pm 18V$  Operation
- ◆ Guaranteed  $+10V$  to  $+30V$  Operation (Single Supply)
- ◆ No Separate Logic Supply Required
- ◆ CMOS and TTL Logic Compatible
- ◆ Monolithic, Low Power CMOS Design

### Ordering Information

PART	TEMP. RANGE	PACKAGE
MAX333CPP	0°C to +70°C	20 Lead Plastic DIP
MAX333C/D	0°C to +70°C	Dice
MAX333EPP	-40°C to +85°C	20 Lead Plastic DIP
MAX333MJP	-55°C to +125°C	20 Lead CERDIP
MAX333CWP	0°C to +70°C	20 Lead Wide SO
MAX333EWP	-40°C to +85°C	20 Lead Wide SO

### Typical Operating Circuit



MAXIM

Maxim Integrated Products 1

Call toll free 1-800-998-8800 for free samples or literature.

## Quad SPDT CMOS Analog Switch

### ABSOLUTE MAXIMUM RATINGS

$V^+$ to $V^-$ .....	36V	Storage Temperature .....	-65°C to +150°C
$V_{IN}$ , $V_{COM}$ , $V_{NO}$ or $V_{NC}$ .....	$V^+$ to $V^-$	Power Dissipation (Note 1)	
$V_{NO} - V_{NC}$ .....	32V	20 Pin CERDIP (Note 2) .....	900mW
$V^-$ to Ground .....	30V	20 Pin Plastic DIP (Note 3) .....	600mW
$V^-$ to Ground .....	-30V	20 Pin Small Outline (WE) (Note 4) .....	800mW
Current, Any Terminal Except $V_{COM}$ , $V_{NO}$ , or $V_{NC}$ ..	30mA	<b>Note 1:</b> Device mounted with all leads soldered to PC board.	
Continuous Current, $V_{COM}$ , $V_{NO}$ or $V_{NC}$ .....	20mA	<b>Note 2:</b> Derate 11.1mW/°C above 70°C.	
Peak Current, $V_{COM}$ , $V_{NO}$ or $V_{NC}$ (Pulsed at 1msec, 10% duty cycle max) .....	70mA	<b>Note 3:</b> Derate 8mW/°C above 70°C.	
		<b>Note 4:</b> Derate 10mW/°C above 70°C.	

Stresses above those listed under "Absolute Maximum Ratings" may cause permanent damage to the device. These are stress ratings only, and functional operation of the device at these or any other conditions above those indicated in the operational sections of the specifications is not implied. Exposure to absolute maximum ratings conditions for extended periods may affect device reliability.

### ELECTRICAL CHARACTERISTICS

(GND = 0V,  $V^+$  = +15V,  $V^-$  = -15V,  $T_A$  = +25°C, unless otherwise indicated)

PARAMETER	SYMBOL	TEST CONDITIONS	LIMITS			UNITS
			MIN (Note 5)	TYP (Note 6)	MAX	
<b>SUPPLY</b>						
Positive Supply Current	$I^+$			0.13	0.25	mA
Supply Voltage Range	$V^+/V^-$	Dual Supply; $ V^+  =  V^- $	±5		±18	V
Supply Voltage Range	$V^+$	Single Supply; $V^- = \text{GND}$	+10		+30	V
Negative Supply Current	$I^-$			0.01	0.25	mA
<b>LOGIC INPUT</b>						
Input Voltage Low	$V_{IL}$		$V^-$		+0.8	V
Input Voltage High	$V_{IH}$		2.4		$V^+$	V
Input Current	$I_{IN}$	$V_{IN} = V^+, V^-$	-10	0.0001	+10	μA
<b>SWITCH</b>						
Analog Signal Range	$V_{ANA}$		$V^-$		$V^+$	V
ON Circuit Resistance	$R_{ON}$	$V_{ANA} = +10V; I_{COM} = 1mA$ $V_{ANA} = -10V; I_{COM} = 1mA$		140 125	175 175	Ω
ON Circuit Leakage Current	$I_{ONL}$	$V_{ANA} = +14V; V_{OFF} = -14V$ $V_{ANA} = -14V; V_{OFF} = +14V$	-5 -5	0.1 0.2	+5 +5	nA
OFF Circuit Leakage Current	$I_{OFF}$	$V_{ANA} = +14V; V_{OFF} = -14V$ $V_{ANA} = -14V; V_{OFF} = +14V$	-5 -5	0.01 0.02	+5 +5	nA
<b>DYNAMIC</b>						
Turn-off Time	$t_{OFF}$	(See Switching Time Test Circuit)		50	500	ns
Turn-on Time	$t_{ON}$			460	1000	ns
Break-before-make Time	$t_{OPEN}$		50	200		ns
Off Capacitance	$C_{OFF}$	$V_{ANA} = 0V$		5		pF
On Capacitance	$C_{ON}$	$V_{ANA} = 0V$		5		pF
Off Isolation	OIRR	$f = 1MHz, R_I = 75\Omega$ $V_{ANA} = 2.3V_{RMS}$		72		dB
Crosstalk	CCRR			78		dB

**Note 5:** The algebraic convention whereby the most negative value is a minimum, and the most positive is a maximum, is used in this data sheet.

**Note 6:** Typical values are for DESIGN AID ONLY, not guaranteed nor subject to production testing.

# Quad SPDT CMOS Analog Switch

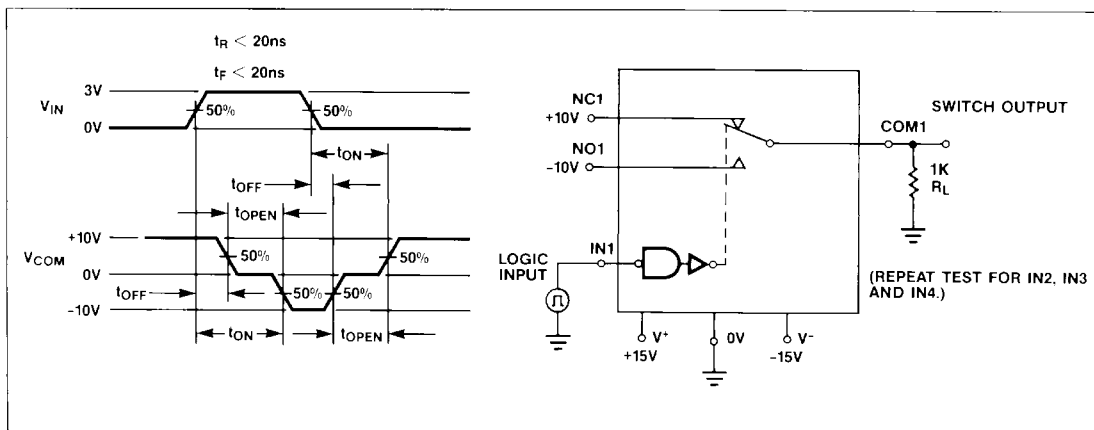
**MAX333**

## ELECTRICAL CHARACTERISTICS

(GND = 0V, V<sup>+</sup> = +15V, V<sup>-</sup> = -15V, T<sub>A</sub> = Full Operating Temperature Range, unless otherwise indicated)

PARAMETER	SYMBOL	TEST CONDITIONS	LIMITS			UNITS
			MIN (Note 5)	TYP (Note 6)	MAX	
<b>LOGIC INPUT</b>						
Input Voltage Low	V <sub>IL</sub>		V <sup>-</sup>		+0.8	V
Input Voltage High	V <sub>IH</sub>		2.4		V <sup>-</sup>	V
Input Current	I <sub>IN</sub>	V <sub>IN</sub> = V <sup>-</sup> , V <sup>+</sup>	-10	0.0001	+10	μA
<b>SWITCH</b>						
Analog Signal Range	V <sub>ANA</sub>		V <sup>-</sup>		V <sup>+</sup>	V
ON Circuit Resistance	R <sub>ON</sub>	V <sub>ANA</sub> = +10V; I <sub>COM</sub> = 1mA V <sub>ANA</sub> = -10V; I <sub>COM</sub> = 1mA		200 180	250 250	Ω Ω
ON Circuit Leakage Current	I <sub>ONL</sub>	V <sub>ANA</sub> = +15V; V <sub>OFF</sub> = -15V V <sub>ANA</sub> = -15V; V <sub>OFF</sub> = +15V		200 200		nA nA
OFF Circuit Leakage Current	I <sub>OFF</sub>	V <sub>ANA</sub> = +15V; V <sub>OFF</sub> = -15V V <sub>ANA</sub> = -15V; V <sub>OFF</sub> = +15V		100 100		nA nA

## Switching Time Test Circuit



## TYPICAL R<sub>DS(ON)</sub> & SUPPLY CURRENT VS. POWER SUPPLY VOLTAGE

Power Supply Voltage	R <sub>ON</sub> at Analog Signal Levels (Ω)						Quiescent Supply Current (μA)	Charge Injection (pC)
	-15V	-10V	-5V	0V	+5V	+10V		
V <sup>-</sup> = -15V, V <sup>+</sup> = +15V	117			109			130	12
V <sup>-</sup> = -10V, V <sup>+</sup> = +10V		158		156		171	80	10
V <sup>-</sup> = -5V, V <sup>+</sup> = +5V			297	303	288		30	8
V <sup>-</sup> = GND, V <sup>+</sup> = +15V				200		212	115	
V <sup>-</sup> = GND, V <sup>+</sup> = +10V				300	312	303	30	

# Quad SPDT CMOS Analog Switch

## ELECTRICAL CHARACTERISTICS (Single Supply)

(GND = 0V, V<sup>+</sup> = +12V, V<sup>-</sup> = 0V, T<sub>A</sub> = 25°C, unless otherwise indicated)

PARAMETER	SYMBOL	TEST CONDITIONS	LIMITS			UNITS
			MIN (Note 5)	TYP (Note 6)	MAX	
<b>SUPPLY</b>						
Supply Voltage Range	V <sup>+</sup>	Single Supply; V <sup>-</sup> = GND	+10		+30	V
Positive Supply Current	I <sup>+</sup>			0.11	0.25	mA
<b>INPUT</b>						
Input Voltage Low	V <sub>INLO</sub>		0		+0.8	V
Input Voltage High	V <sub>INHI</sub>		2.4		V <sup>+</sup>	V
Input Current	I <sub>IN</sub>	V <sub>IN</sub> = V <sup>+</sup> , 0V			1	μA
<b>SWITCH</b>						
Analog Signal Range	V <sub>ANA</sub>		V <sup>-</sup>		V <sup>+</sup>	V
ON Circuit Resistance	R <sub>ON</sub>	V <sub>ANA</sub> = +10V; I <sub>COM</sub> = 1mA V <sub>ANA</sub> = 0V; I <sub>COM</sub> = 1mA		250 240	350 350	Ω Ω
ON Circuit Leakage Current	I <sub>ONL</sub>	V <sub>ANA</sub> = V <sup>+</sup> ; V <sub>OFF</sub> = 0V V <sub>ANA</sub> = 0V; V <sub>OFF</sub> = V <sup>+</sup>		0.05 0.05		nA nA
OFF Circuit Leakage Current	I <sub>OFF</sub>	V <sub>ANA</sub> = V <sup>+</sup> V <sub>ANA</sub> = 0V		0.01 0.01		nA nA
<b>DYNAMIC</b>						
Turn-off Time	t <sub>OFF</sub>	(See Switching Time Test Circuit)		65		ns
Turn-on Time	t <sub>ON</sub>			700		ns
Break-before-make Time	t <sub>OPEN</sub>			200		ns
Off Isolation	OIRR	f = 1MHz, R <sub>I</sub> = 75Ω V <sub>ANA</sub> = 2.3V <sub>RMS</sub>		70		dB
Crosstalk	CCRR			72		dB

**Note 5:** The algebraic convention whereby the most negative value is a minimum, and the most positive is a maximum, is used in this data sheet.

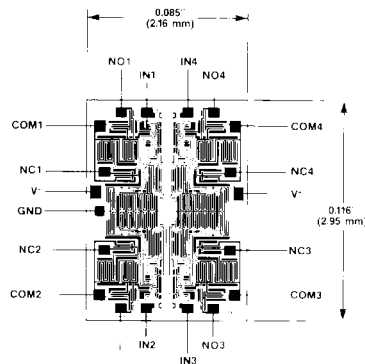
**Note 6:** Typical values are for DESIGN AID ONLY, not guaranteed nor subject to production testing.

### Protecting Against Fault Conditions

Fault conditions occur when power supplies are turned off when input signals are still present or when over voltages occur at the inputs during normal operation. In either case, source-to-body diodes can be forward biased and conduct current from the signal source. If this current is required to be kept to low (μA) levels then the addition of external protection diodes is recommended.

To provide protection for over-voltages up to 20V above the supplies, 1N4001 or 1N914 type diodes should be placed in series with the positive and negative supplies. The addition of these diodes will reduce the analog signal range to 1 volt below the positive supply and 1 volt above the negative supply.

### Chip Topography



NOTE: NCx IS CONNECTED TO COMx WHEN INx IS LOW.

Maxim cannot assume responsibility for use of any circuitry other than circuitry entirely embodied in a Maxim product. No circuit patent licenses are implied. Maxim reserves the right to change the circuitry and specifications without notice at any time.

4 **Maxim Integrated Products, 120 San Gabriel Drive, Sunnyvale, CA 94086 (408) 737-7600**

© 1995 Maxim Integrated Products

Printed USA

MAXIM is a registered trademark of Maxim Integrated Products.